

00	17/09/20	DRAWING CREATED	H.B
REVn	DATE	DETAILS	INITIAL

SAFELINE xo L1/H1 W4 & N2W3

SAFELINE xo VEHICLE RESTRAINT
SYSTEM COMPONENTS SCHEMATIC

SAFEROAD®

CONCORD HOUSE,
BESSEMER WAY, SCUNTHORPE,
NORTH LINCOLNSHIRE, DN15 8XE
t: 01724 289119

FOR TECHNICAL ASSISTANCE CONTACT
john.cudlipp@saferoad.co.uk

DRAWING NUMBER:	REVn:
SL-xo-GA-00	00

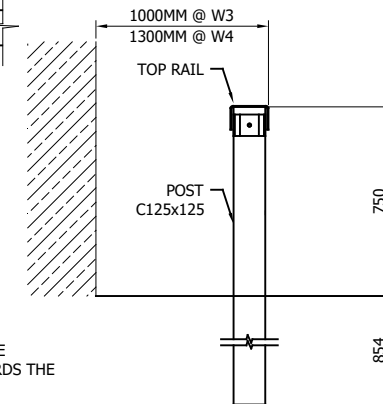
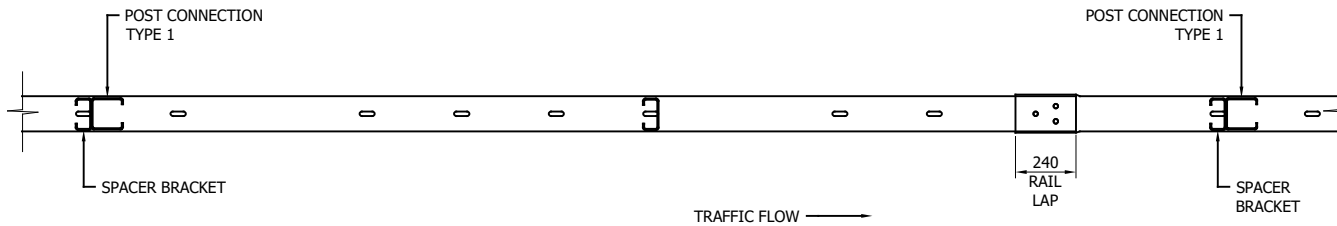
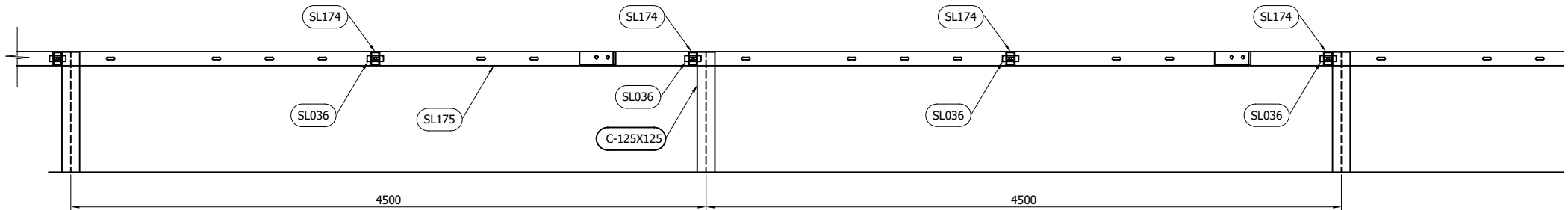
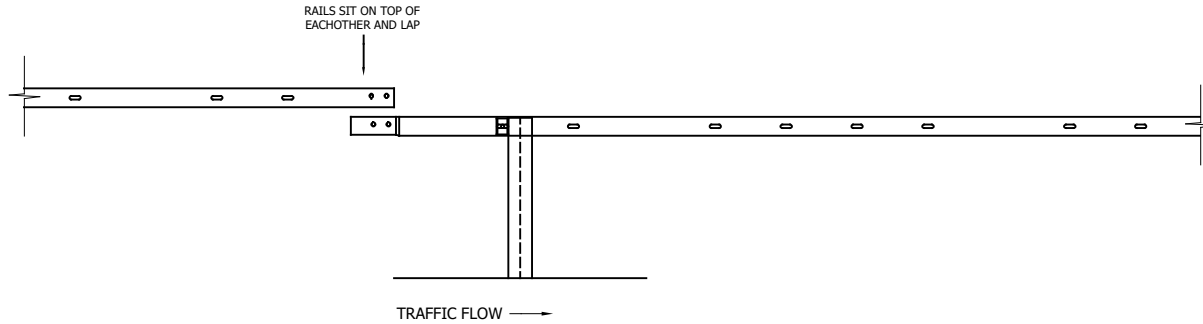


TABLE 'A' - SYSTEM COMPONENT SCHEDULE - QTY'S / 4.74m RAIL

SAFEROAD PART NUMBER	DESCRIPTION	QUANTITY
SL175	SAFELINE XO TOP RAIL	1
SL174	C125x125 SPACER	2
SEE TABLE 'B'	POST "C" 125x125	1
SL036	M16x115x40x6 WASHER PLATE	2
FOR SCHEDULE OF BOLTED CONNECTIONS REFER TO DRAWING NUMBER SL-xo-GA-02		

TABLE 'B' - SCHEDULE OF POST REFERENCES

SAFEROAD PART NUMBER	POST LENGTH
SL169	1100
SL171	1800
SL172	2000
SL173	2400

GENERAL NOTES:

1. POSTS ARE TO BE INSTALLED WITH THE CLOSED FACE OF THE CHANNEL TOWARDS THE ON-COMING TRAFFIC.
2. FOR OPTIONS ON POST FOUNDATIONS REFER TO DRAWING NUMBER SL-GA-020
3. WHEN TYING INTO ADJACENT VRS ONLY ONE WORKING WIDTH DIFFERENCE IS PERMITTED.
4. WHERE A KERB IS PRESENT THE MAXIMUM KERB HEIGHT IS 125mm.
5. FOR MINIMUM LENGTH OF FULL HEIGHT VRS REFER TO SAFEROAD SAFELINE MANUAL.

REV#	DATE	DETAILS	INITIAL
01	21/12/20	DETAIL REVISED	M.T
00	17/09/20	DRAWING CREATED	H.B

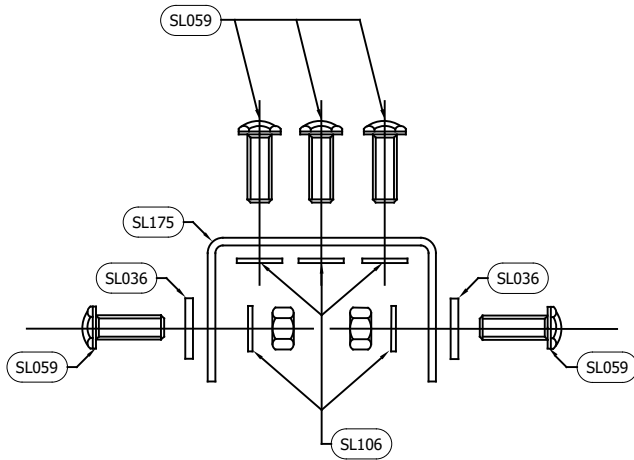
SAFELINE xo L1/H1 W4 & N2W3

SAFELINE xo VEHICLE RESTRAINT SYSTEM ASSEMBLY & SETTING OUT ARRANGEMENT

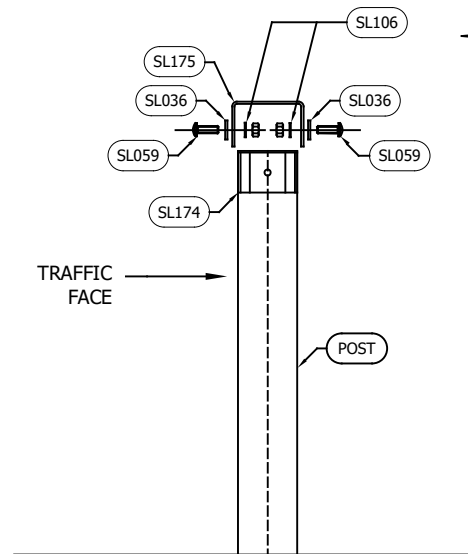
SAFEROAD®

CONCORD HOUSE,
BESSEMER WAY, SCUNTHORPE,
NORTH LINCOLNSHIRE, DN15 8XE
t: 01724 289119
FOR TECHNICAL ASSISTANCE CONTACT
john.cudlipp@saferoad.co.uk

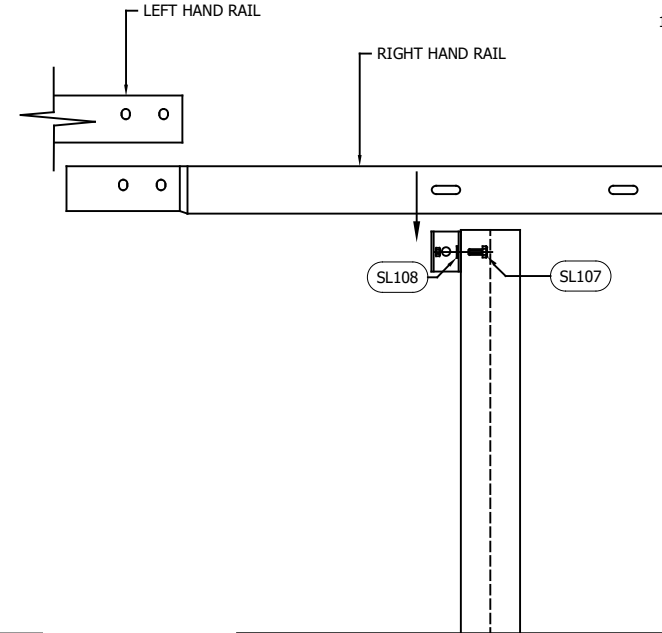
DRAWING NUMBER: SL-xo-GA-01 REV#: 01



RAIL TO RAIL CONNECTION ARRANGEMENT



TOP RAIL TO POST (THROUGH SPACER) CONNECTION TYPE 1



POST SPACER TO POST (VIEW AT TRAFFIC FACE)

GENERAL NOTES:

- NUMBERS IN THE SCHEDULES SUFFIXED (+) DENOTES THE ADDITIONAL QUANTITY OF COMPONENTS REQUIRED FOR EXTREME ENDS OF INDIVIDUAL RUNS OF BARRIER.

BOLTING COMPONENT SCHEDULE - QTY'S / RAIL TO RAIL CONNECTION		
SAFEROAD PART NUMBER	DESCRIPTION	RAIL TO RAIL CONNECTION
SL059	SETSCREW 8.8 M16 x 45 c/w NUT	5
SL036	WASHER PLATE 115 x 40 x 6 DIA. 18	2
SL106	M16 WASHER 18Ø HOLE	5

BOLTING COMPONENT SCHEDULE - QTY'S / RAIL TO POST CONNECTION		
SAFEROAD PART NUMBER	DESCRIPTION	RAIL TO POST CONNECTION
SL059	SETSCREW 8.8 M16 x 45 c/w NUT	2
SL036	WASHER PLATE 115 x 40 x 6 DIA. 18	2
SL106	M16 WASHER 18Ø HOLE	2

BOLTING COMPONENT SCHEDULE - QTY'S / TOP RAIL BEAM JOINT		
SAFEROAD PART NUMBER	DESCRIPTION	RAIL JOINT CONNECTION
SL107	SETSCREW 8.8 M12 x 30 c/w NUT	1
SL108	M12 WASHER 13.5Ø HOLE	1

00	17/09/20	DRAWING CREATED	H.B
REVn	DATE	DETAILS	INITIAL

SAFELINE x0 L1/H1 W4 & N2W3

SAFELINE x0 VEHICLE RESTRAINT SYSTEM BOLTING ARRANGEMENTS

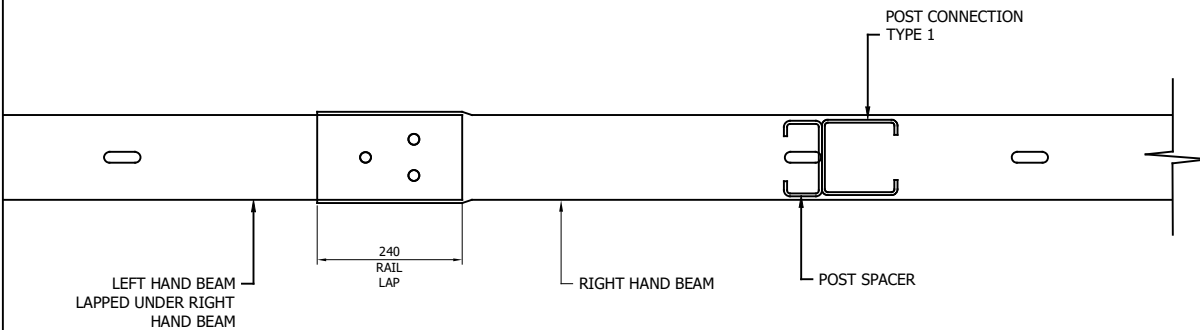
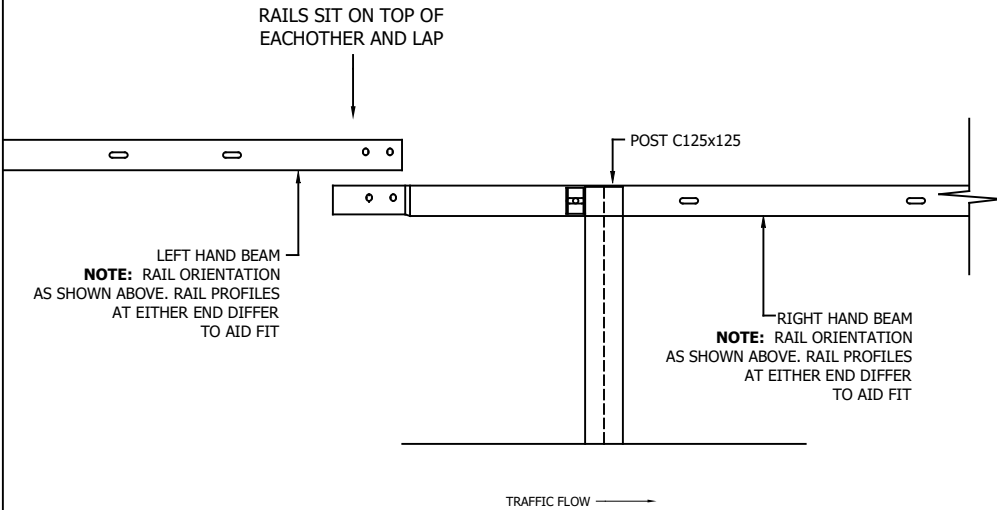
SAFEROAD®

CONCORD HOUSE,
BESSEMER WAY, SCUNTHORPE,
NORTH LINCOLNSHIRE, DN15 8XE
t: 01724 289119
FOR TECHNICAL ASSISTANCE CONTACT
john.cudlipp@saferoad.co.uk

DRAWING NUMBER:	REVn:
SL-xo-GA-02	00

GENERAL NOTES:

1. POSTS ARE TO BE INSTALLED WITH THE CLOSED FACE OF THE CHANNEL TOWARDS THE ON-COMING TRAFFIC.



00	17/09/20	DRAWING CREATED	H.B
REVn	DATE	DETAILS	INITIAL

SAFELINE x0 L1/H1 W4 & N2W3

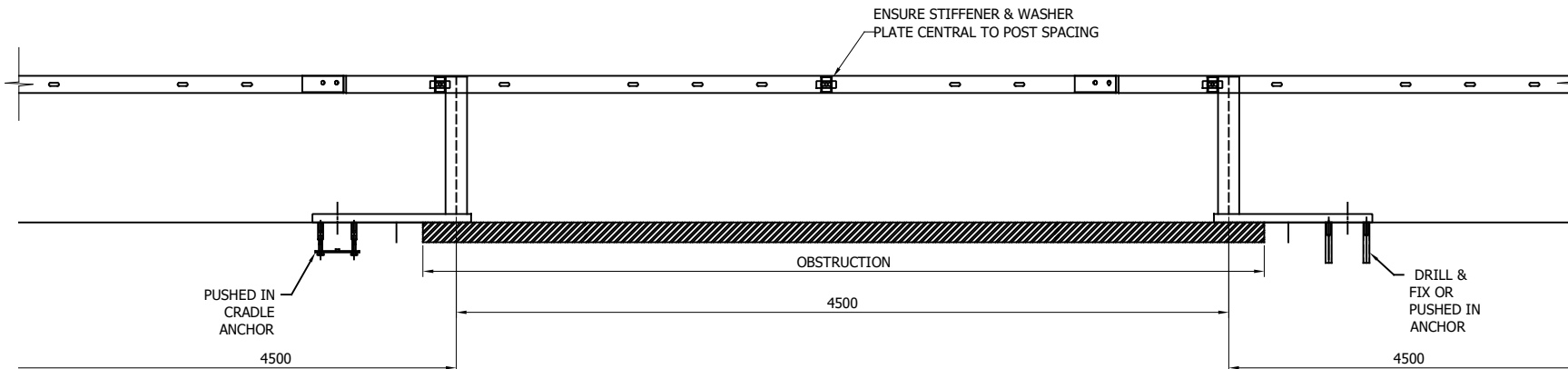
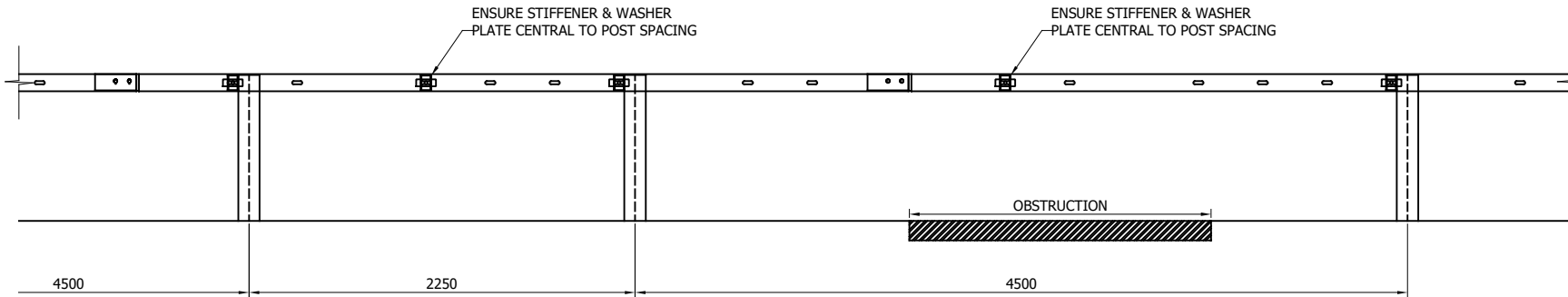
SAFELINE x0 VEHICLE RESTRAINT SYSTEM RAIL LAPPING DETAIL FOR H1 & N2 SAFELINE SYSTEM

SAFEROAD®

CONCORD HOUSE,
BESSEMER WAY, SCUNTHORPE,
NORTH LINCOLNSHIRE, DN15 8XE
t: 01724 289119

FOR TECHNICAL ASSISTANCE CONTACT
john.cudlipp@saferoad.co.uk

DRAWING NUMBER:	REVn:
SL-xo-GA-03	00



GENERAL NOTES:

1. IF THE SITE CONDITIONS DO NOT ALLOW A POST TO BE INSTALLED ON THE SYSTEM PITCH DEVIATIONS CAN BE APPLIED. THE OBSTRUCTED POST CAN BE LEFT OUT AND EXTRA POSTS INSTALLED TO SPAN THE OBSTRUCTION. THE NEW POST SPACING MUST NOT EXCEED 4500mm AND MUST NOT BE LESS THAN 2250mm. ALTHOUGH IT WOULD BE BENEFICIAL TO USE THE HOLES ALREADY IN THE BEAM IT IS ACCEPTABLE TO DRILL NEW HOLES IN THE DESIRED POSITIONS AND TREAT WITH ZINC RICH PAINT.
2. OFFSET POSTS SHOWN ON DRAWING SL-xo-GA-00 CAN BE USED.

REVn	DATE	DETAILS	INITIAL
01	05/01/21	DETAILS ADDED	M.T
00	17/09/20	DRAWING CREATED	H.B

SAFELINE xo L1/H1 W4 & N2W3

SAFELINE xo VEHICLE RESTRAINT SYSTEM
DEVIATION SETTING OUT
ARRANGEMENT

SAFEROAD®

CONCORD HOUSE,
BESSEMER WAY, SCUNTHORPE,
NORTH LINCOLNSHIRE, DN15 8XE
t: 01724 289119

FOR TECHNICAL ASSISTANCE CONTACT
john.cudlipp@saferoad.co.uk

DRAWING NUMBER:	REVn:
SL-xo-GA-40	01