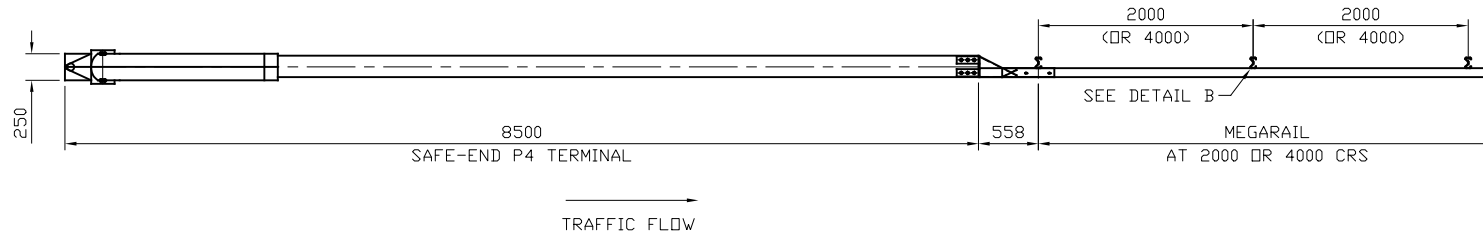
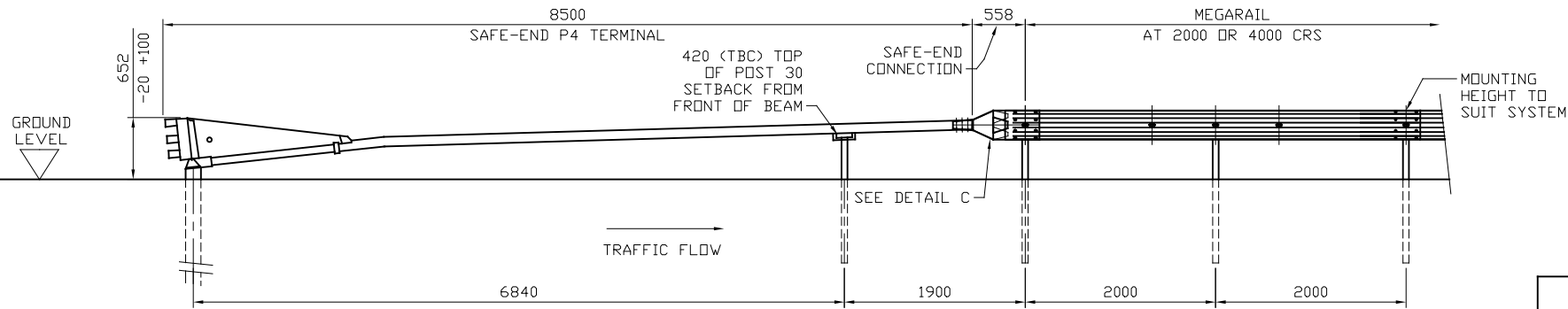


**GENERAL NOTES:**

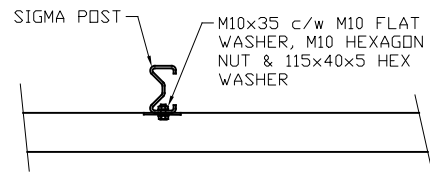
1. ALL DIMENSIONS IN MILLIMETRES UNLESS NOTED OTHERWISE.
2. FOR INSTALLATION PROCEDURES REFER TO SAFERDAD MANUAL.



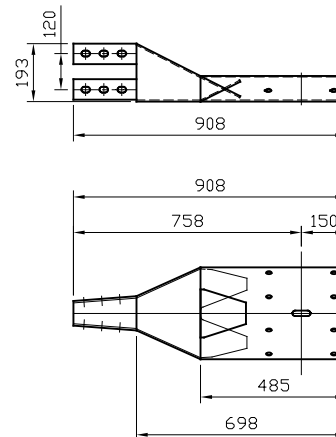
**PLAN VIEW**



**ELEVATION ON TRAFFIC CONNECTION TO MEGARAIL**



**SEE DETAIL B**



**SEE DETAIL C  
NEW SAFE-END CONNECTOR**

| REVn | DATE     | DETAILS                  | INITIAL |
|------|----------|--------------------------|---------|
| 02   | 09.11.20 | DETAILS REVISED          | M.T     |
| 01   | 20.04.17 | REVISED TO COMMENTS      | M.T     |
| 00   | 25.01.17 | DRG. SUPERSEDES UK 19506 | M.T     |

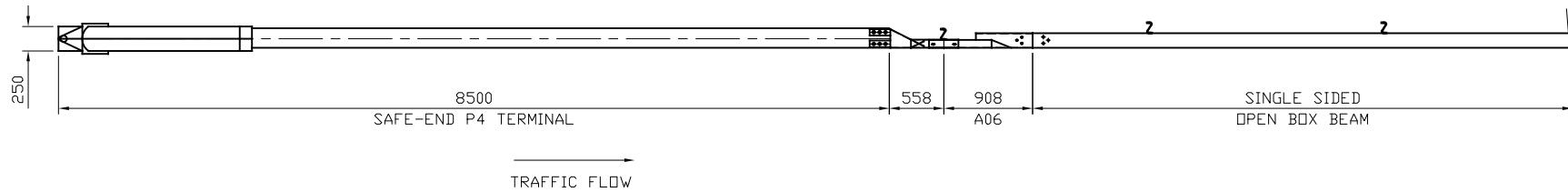
**Safe-End P4**

TO MEGARAIL  
GENERAL ARRANGEMENT  
& DETAIL

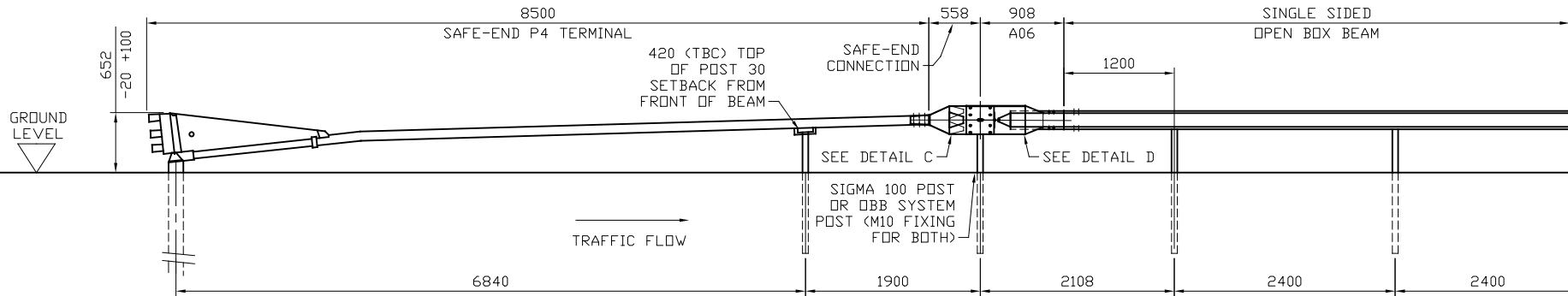
**SafeRoad**

CONCORD HOUSE,  
BESSEMER WAY, SCUNTHORPE,  
NORTH LINCOLNSHIRE, DN15 8XE  
t: 01724 289119  
FOR TECHNICAL ASSISTANCE CONTACT  
e: john.cudlipp@saferoad.co.uk

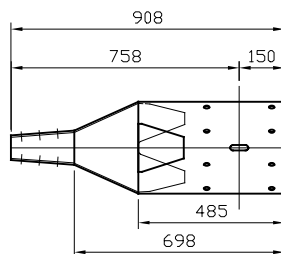
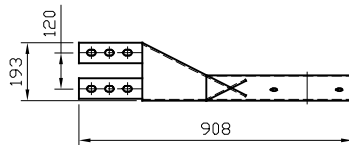
| DRAWING NUMBER: | REVn |
|-----------------|------|
| P4-GA-01        | 02   |



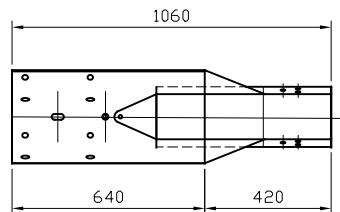
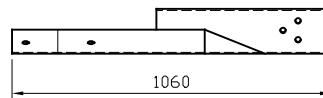
PLAN VIEW



ELEVATION ON TRAFFIC CONNECTION TO SINGLE SIDED OBB



SEE DETAIL C  
NEW SAFE-END CONNECTOR



SEE DETAIL D  
ITEM A06 DETAIL

GENERAL NOTES:

1. ALL DIMENSIONS IN MILLIMETRES UNLESS NOTED OTHERWISE.
2. FOR INSTALLATION PROCEDURES REFER TO SAFEROAD MANUAL.

| 01               | 09.11.20 | DETAILS REVISED          | M.T     |
|------------------|----------|--------------------------|---------|
| 00               | 25.01.17 | DRG. SUPERSEDES UK 19507 | M.T     |
| REV <sup>n</sup> | DATE     | DETAILS                  | INITIAL |

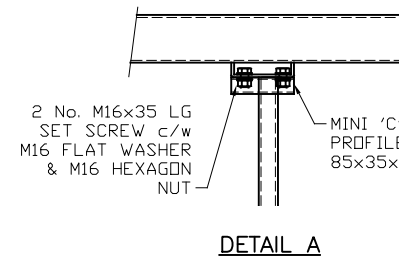
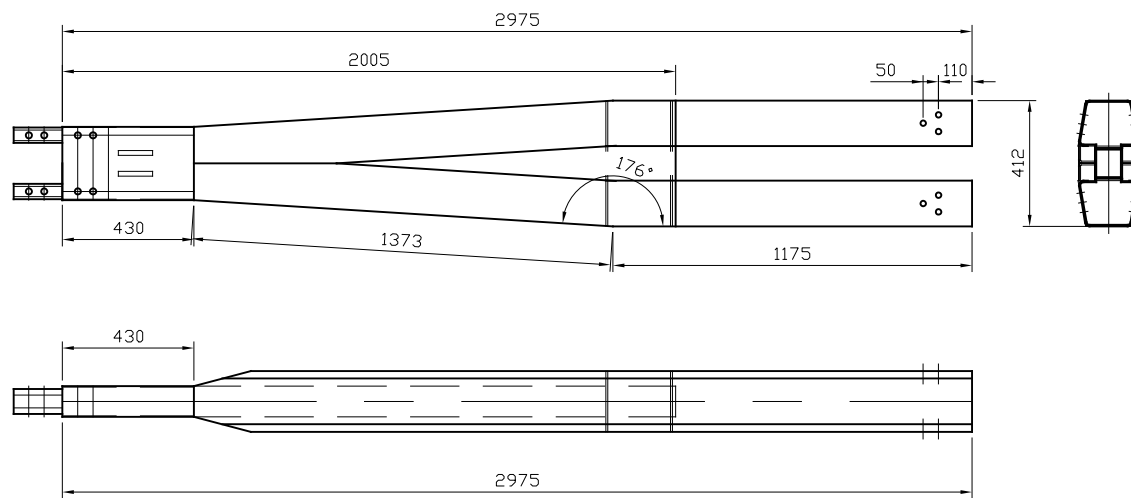
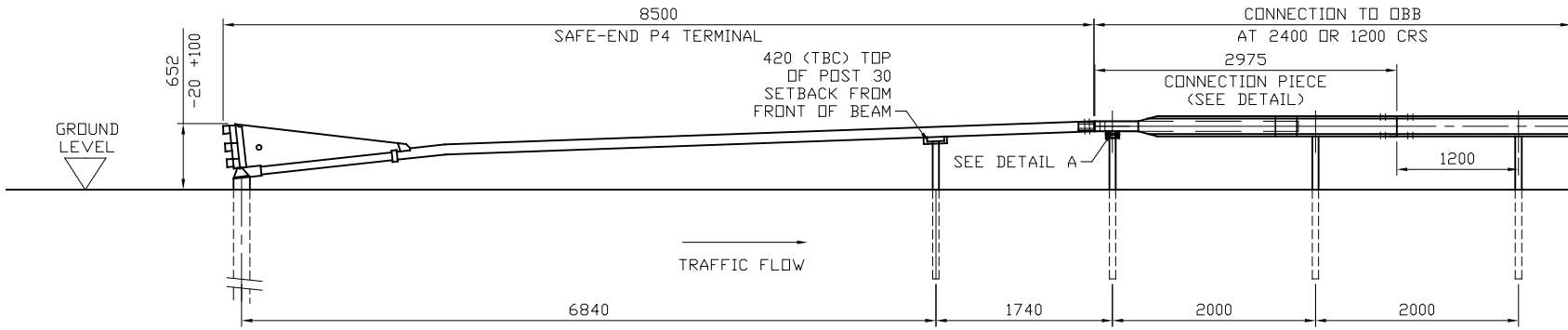
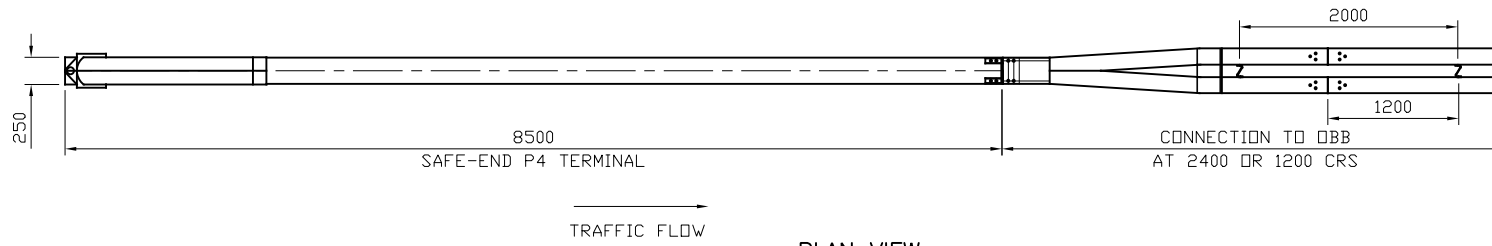
**Safe-End P4**

TO SINGLE SIDED OPEN BOX BEAM (OBB)  
GENERAL ARRANGEMENT & DETAIL

**SafeRoad**

CONCORD HOUSE,  
BESSEMER WAY, SCUNTHORPE,  
NORTH LINCOLNSHIRE, DN15 8XE  
t: 01724 289119  
FOR TECHNICAL ASSISTANCE CONTACT  
e: john.cudlipp@saferoad.co.uk

|                 |                    |
|-----------------|--------------------|
| DRAWING NUMBER: | REV <sup>n</sup> : |
| P4-GA-02        | 01                 |



- GENERAL NOTES:**
1. ALL DIMENSIONS IN MILLIMETRES UNLESS NOTED OTHERWISE.
  2. FOR INSTALLATION PROCEDURES REFER TO SAFEROAD MANUAL.

| REVn | DATE     | DETAILS                  | INITIAL |
|------|----------|--------------------------|---------|
| 03   | 09.11.20 | DETAILS REVISED          | M.T     |
| 02   | 13.02.19 | DETAILS REVISED          | M.T     |
| 01   | 17.10.18 | DETAILS ADDED            | M.T     |
| 00   | 25.01.17 | DRG. SUPERSEDES UK 19508 | M.T     |

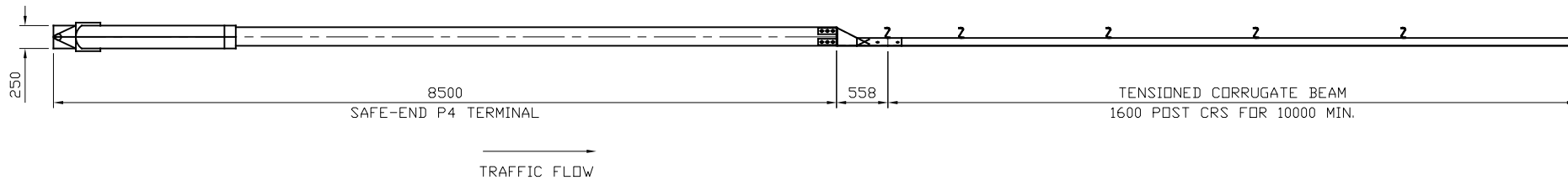
## Safe-End P4

TO DOUBLE SIDED OPEN BOX  
BEAM (OBB)  
GENERAL ARRANGEMENT  
& DETAIL

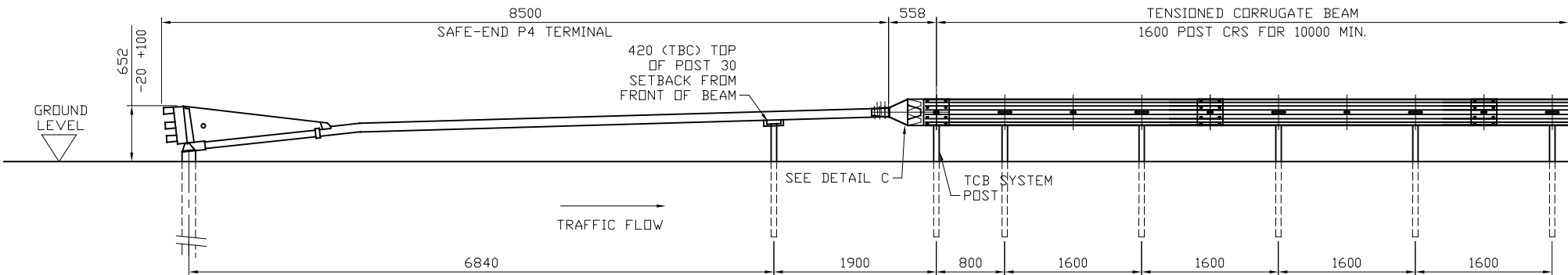
## SafeRoad

CONCORD HOUSE,  
BESSEMER WAY, SCUNTHORPE,  
NORTH LINCOLNSHIRE, DN15 8XE  
t: 01724 289119  
FOR TECHNICAL ASSISTANCE CONTACT  
e: john.cudlipp@saferoad.co.uk

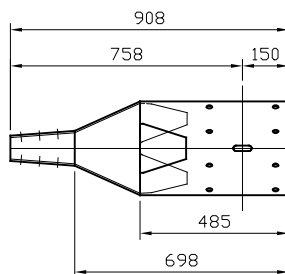
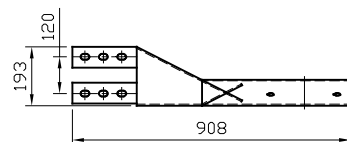
| DRAWING NUMBER: | REVn: |
|-----------------|-------|
| P4-GA-03        | 03    |



PLAN VIEW



ELEVATION ON TRAFFIC  
CONNECTION TO SINGLE SIDED TCB



SEE DETAIL C  
NEW SAFE-END CONNECTOR

| REVn | DATE     | DETAILS                  | INITIAL |
|------|----------|--------------------------|---------|
| 02   | 09.11.20 | DETAILS REVISED          | M.T     |
| 01   | 30.05.18 | POST CENTRE REVISED      | H.B     |
| 00   | 25.01.17 | DRG. SUPERSEDES UK 19513 | M.T     |

## Safe-End P4

TO SINGLE SIDED TENSIONED  
CORRUGATE BEAM (TCB)  
GENERAL ARRANGEMENT  
& DETAIL

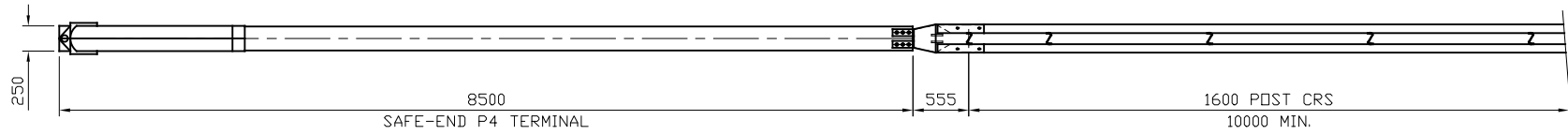
## SafeRoad

CONCORD HOUSE,  
BESSEMER WAY, SCUNTHORPE,  
NORTH LINCOLNSHIRE, DN15 8XE  
t: 01724 289119  
FOR TECHNICAL ASSISTANCE CONTACT  
e: john.cudlipp@saferoad.co.uk

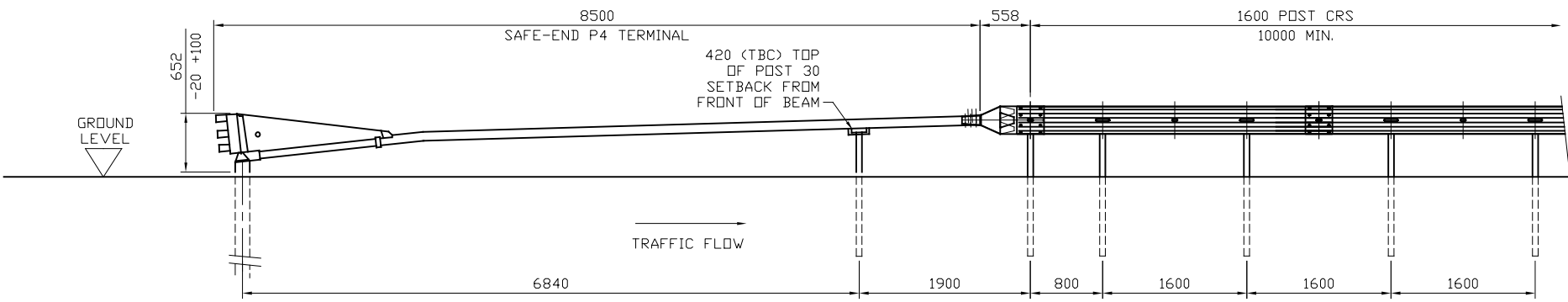
GENERAL NOTES:

1. ALL DIMENSIONS IN MILLIMETRES UNLESS NOTED OTHERWISE.
2. FOR INSTALLATION PROCEDURES REFER TO SAFERODAD MANUAL.

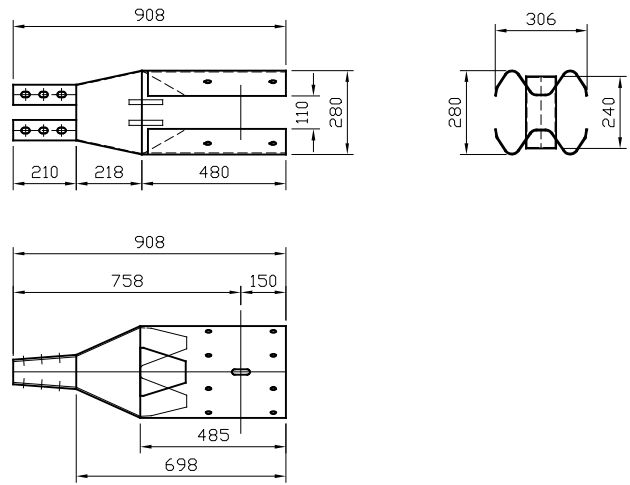
|                 |      |
|-----------------|------|
| DRAWING NUMBER: | REVn |
| P4-GA-04        | 02   |



TRAFFIC FLOW  
**PLAN VIEW**



ELEVATION ON TRAFFIC  
**CONNECTION TO DOUBLE SIDED TCB**



**CONNECTION PIECE DETAIL**

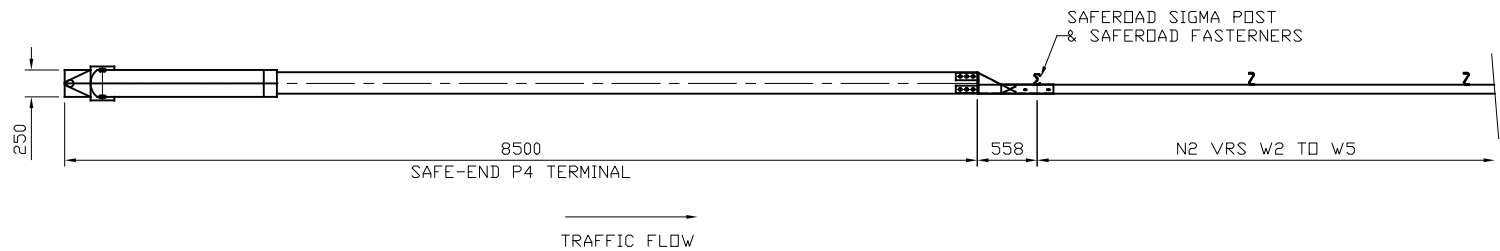
- GENERAL NOTES:
1. ALL DIMENSIONS IN MILLIMETRES UNLESS NOTED OTHERWISE.
  2. FOR INSTALLATION PROCEDURES REFER TO SAFEROAD MANUAL.

| REVn | DATE     | DETAILS                   | INITIAL |
|------|----------|---------------------------|---------|
| 03   | 09.11.20 | DETAILS REVISED           | M.T     |
| 02   | 30.05.18 | POST CENTRE REVISED       | H.B     |
| 01   | 10.03.17 | CONNECTION DETAIL REVISED | M.T     |
| 00   | 25.01.17 | DRG. SUPERSEDES UK 19509  | M.T     |

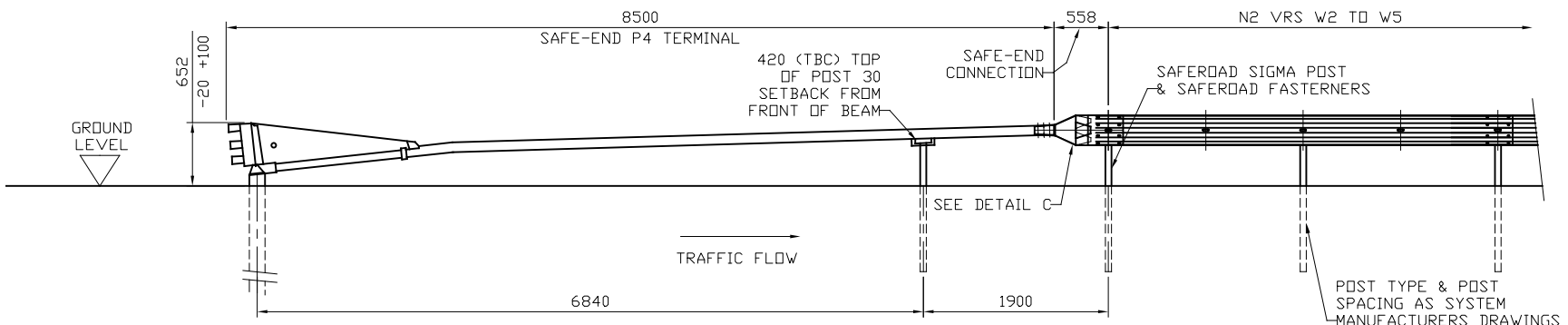
**Safe-End P4**  
TO DOUBLE SIDED TENSIONED CORRUGATE BEAM (TCB)  
GENERAL ARRANGEMENT & DETAIL

**SafeRoad**  
CONCORD HOUSE,  
BESSEMER WAY, SCUNTHORPE,  
NORTH LINCOLNSHIRE, DN15 8XE  
t: 01724 289119  
FOR TECHNICAL ASSISTANCE CONTACT  
e: john.cudlipp@saferoad.co.uk

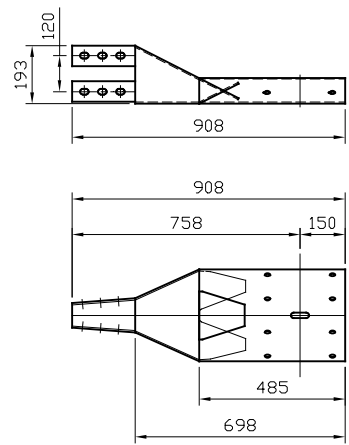
|                 |       |
|-----------------|-------|
| DRAWING NUMBER: | REVn: |
| P4-GA-05        | 03    |



PLAN VIEW



ELEVATION ON TRAFFIC CONNECTION TO N2 VRS SYSTEM



SEE DETAIL C  
NEW SAFE-END CONNECTOR

- GENERAL NOTES:
1. ALL DIMENSIONS IN MILLIMETRES UNLESS NOTED OTHERWISE.
  2. FOR INSTALLATION PROCEDURES REFER TO SAFEROAD MANUAL.

| REVn | DATE     | DETAILS         | INITIAL |
|------|----------|-----------------|---------|
| 01   | 09.11.20 | DETAILS REVISED | M.T     |
| 00   | 04.03.20 | DRAWING CREATED | M.T     |

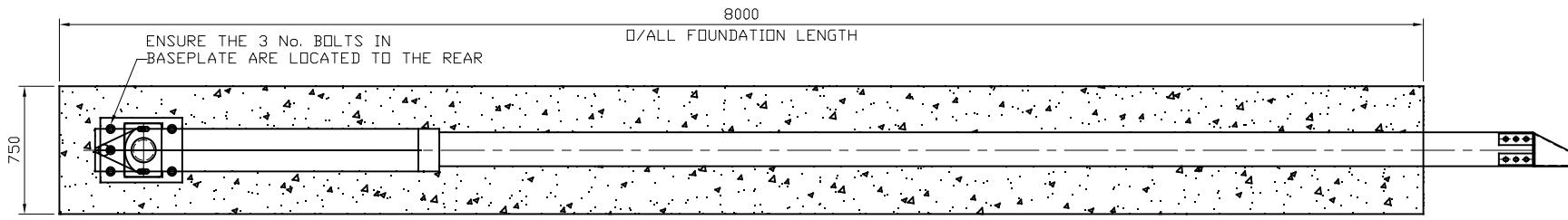
## Safe-End P4

TO EN 1317 TESTED VRS SYSTEMS  
GENERAL ARRANGEMENT & DETAIL

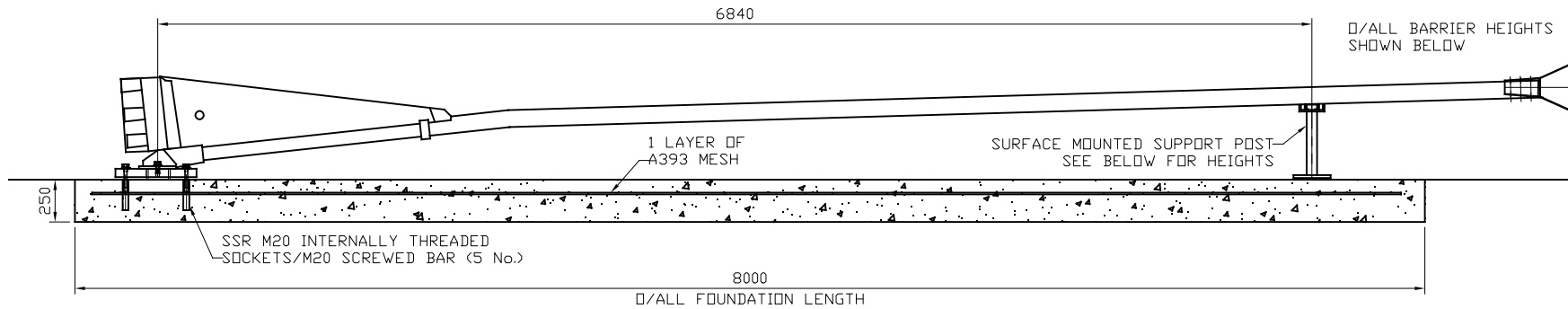
## SafeRoad

CONCORD HOUSE,  
BESSEMER WAY, SCUNTHORPE,  
NORTH LINCOLNSHIRE, DN15 8XE  
t: 01724 289119  
FOR TECHNICAL ASSISTANCE CONTACT  
e: john.cudlipp@saferoad.co.uk

| DRAWING NUMBER: | REVn: |
|-----------------|-------|
| P4-GA-06        | 01    |



PLAN VIEW



ELEVATION ON SURFACE MOUNTED SAFE-END P4 FOUNDATION DETAIL

GENERAL NOTES:

1. ALL DIMENSIONS IN MILLIMETRES UNLESS NOTED OTHERWISE.
2. FOR INSTALLATION PROCEDURES REFER TO SAFEROAD MANUAL.
3. THIS FOUNDATION DETAIL IS APPLICABLE TO THE SURFACE MOUNTED ARRANGEMENT OF SAFE-END P4.
4. FOUNDATION SIZE: 750mm WIDE x 250mm DEEP x 8000mm LONG.
5. WHEN POSITIONING THE SURFACE MOUNTED BASEPLATE ENSURE THE ANCHOR BOLT HOLES ARE POSITIONED TO THE REAR OF THE SAFE-END AS SHOWN IN THIS DETAIL.

|      |          |                 |         |
|------|----------|-----------------|---------|
| 00   | 17.04.20 | DRAWING CREATED | M.T     |
| REVn | DATE     | DETAILS         | INITIAL |

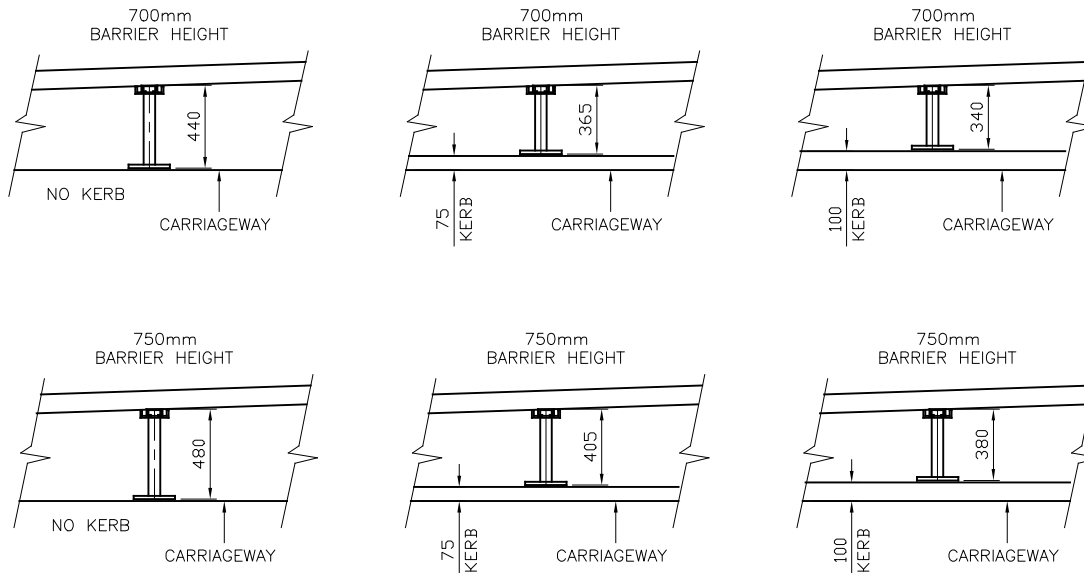
**Safe-End P4**

FOUNDATION DETAIL FOR SURFACE MOUNTED SAFE-END P4

**SafeRoad**

CONCORD HOUSE,  
 BESSEMER WAY, SCUNTHORPE,  
 NORTH LINCOLNSHIRE, DN15 8XE  
 t: 01724 289119  
 FOR TECHNICAL ASSISTANCE CONTACT  
 e: john.cudlipp@saferoad.co.uk

|                 |       |
|-----------------|-------|
| DRAWING NUMBER: | REVn: |
| P4-GA-07        | 00    |



SURFACE MOUNTED SUPPORT POST HEIGHTS BASED ON CONNECTING TO 700mm BARRIER HEIGHT

SURFACE MOUNTED SUPPORT POST HEIGHTS BASED ON CONNECTING TO 750mm BARRIER HEIGHT