

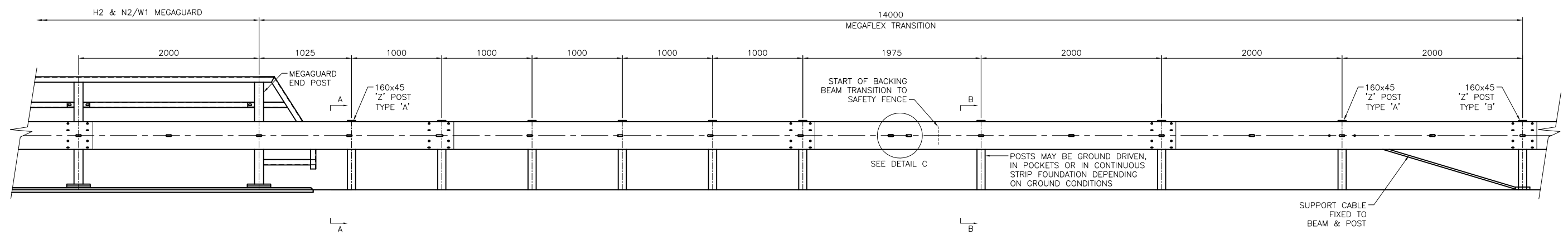
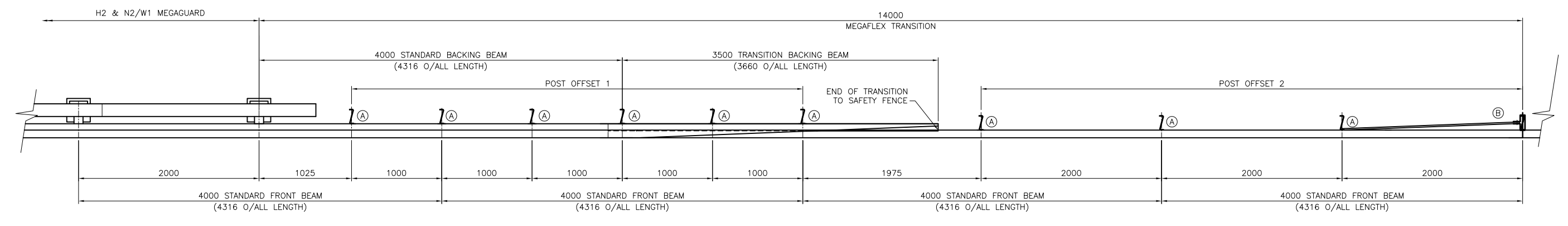
MACHINING NOTES
 MACHINE WHERE MARKED BY
 REMOVE SHARP EDGES
 TOLERANCES UNLESS
 STATED OTHERWISE
 DIMENSIONAL ± 0.015 (0.4mm)

FABRICATION NOTES
 TOLERANCES UNLESS
 STATED OTHERWISE
 ± 0.062 (1.6mm)

WELDING SPECIFICATION

IF IN DOUBT, ASK.

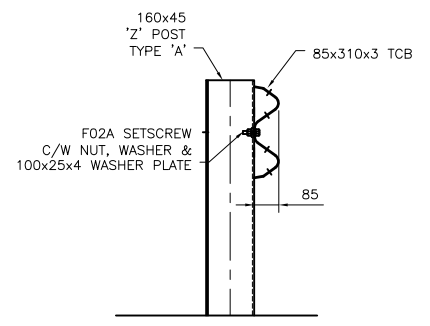
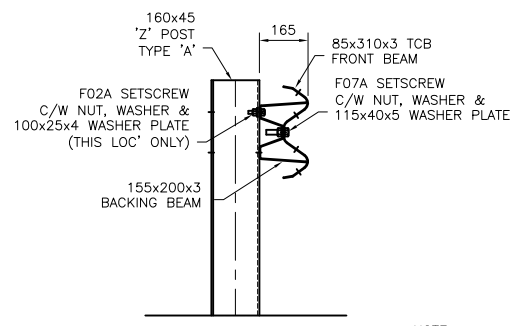
DRAWING NOT TO BE SCALED.



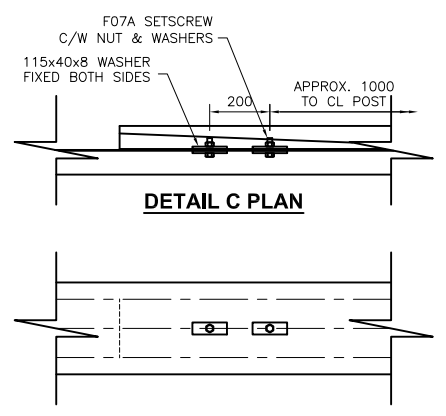
ELEVATION ON TRAFFIC FACE OF TRANSITION

GENERAL NOTES:

1. ALL DIMENSIONS IN MILLIMETRES UNLESS NOTED OTHERWISE.
2. FOR GENERAL ARRANGEMENT & DETAILS OF H2 & N2/W1 STANDARD BASEPLATED MEGAGUARD SYSTEM SEE DRG. No. BG/GA-02. REV. 00.
3. THE OVERALL LENGTH OF POSTS & SLOPE OF BEAM TO SUIT SITE GROUND GRADIENT.
4. MEGAFLEX POSTS TO BE DRIVEN OR SET IN SOCKETS, CAST INTO INDIVIDUAL FOUNDATIONS OR STRIP FOUNDATION.
5. STEEL COMPONENTS TO BS 100025, GRADE S275 AND GALVANISED TO BS EN 1461.
6. ALL FASTENERS TO LAP JOINTS TO BE M16x35 LG STEEL GRADE 8.8 GALVANISED SCREW (F07) UNLESS NOTED OTHERWISE.
7. CONNECTIONS TO ANY APPROACH OR DEPARTURE END OF THIS TRANSITION MUST ONLY BE MADE WITH THE EXPRESS PERMISSION OF SAFEROAD UK.



NOTE:
 POSTS MAY BE GROUND DRIVEN, IN POCKETS OR IN CONTINUOUS STRIP FOUNDATION DEPENDING ON GROUND CONDITIONS



| POST FACE OFFSETS FROM FACE OF BEAM | |
|-------------------------------------|-------------|
| OFFSET TYPE | OFFSET (mm) |
| 1 | 165 |
| 2 | 85 |

