

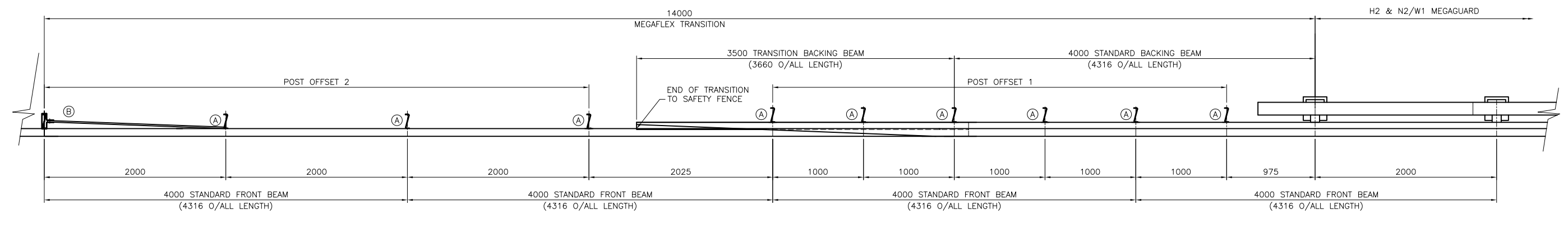
MACHINING NOTES
 MACHINE WHERE MARKED BY REMOVE SHARP EDGES TOLERANCES UNLESS STATED OTHERWISE DIMENSIONAL ± 0.015(0.4mm)

FABRICATION NOTES
 TOLERANCES UNLESS STATED OTHERWISE ± 0.062(1.6mm)

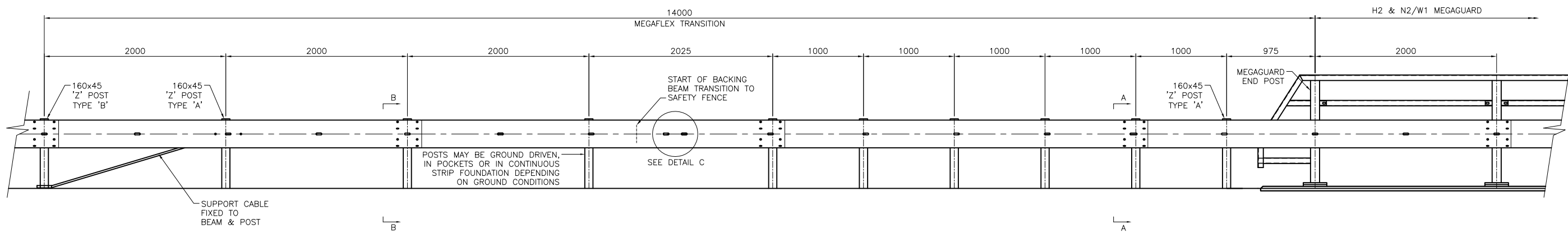
WELDING SPECIFICATION

IF IN DOUBT, ASK.

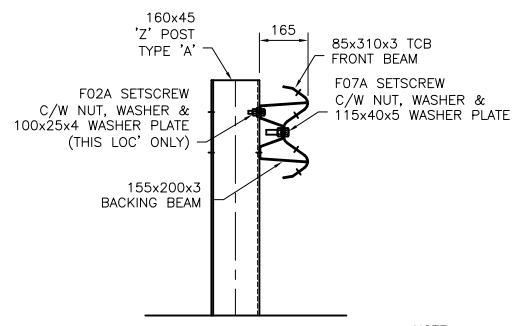
DRAWING NOT TO BE SCALED.



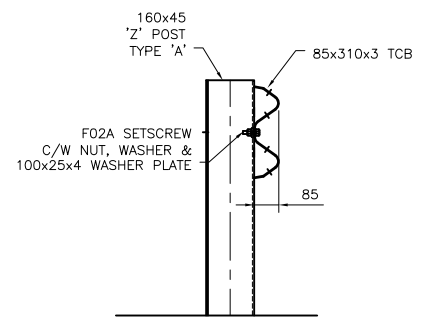
PLAN VIEW OF TRANSITION



ELEVATION ON TRAFFIC FACE OF TRANSITION

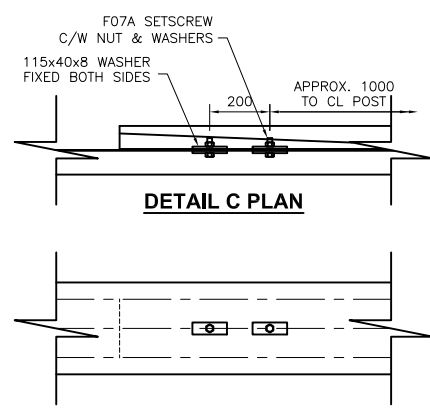


SECTION A - A



SECTION B - B

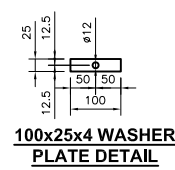
NOTE:
 POSTS MAY BE GROUND DRIVEN, IN POCKETS OR IN CONTINUOUS STRIP FOUNDATION DEPENDING ON GROUND CONDITIONS



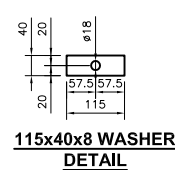
DETAIL C PLAN

DETAIL C ELEVATION

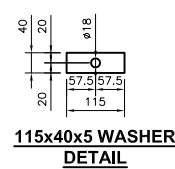
POST FACE OFFSETS FROM FACE OF BEAM	
OFFSET TYPE	OFFSET (mm)
1	165
2	85



100x25x4 WASHER PLATE DETAIL



115x40x8 WASHER DETAIL



115x40x5 WASHER DETAIL

GENERAL NOTES:

- ALL DIMENSIONS IN MILLIMETRES UNLESS NOTED OTHERWISE.
- FOR GENERAL ARRANGEMENT & DETAILS OF H2 & N2/W1 STANDARD BASEPLATED MEGAGUARD SYSTEM SEE DRG. No. BG/GA-02. REV. 00.
- THE OVERALL LENGTH OF POSTS & SLOPE OF BEAM TO SUIT SITE GROUND GRADIENT.
- MEGAFLEX POSTS TO BE DRIVEN OR SET IN SOCKETS, CAST INTO INDIVIDUAL FOUNDATIONS OR STRIP FOUNDATION.
- STEEL COMPONENTS TO BS 100025, GRADE S275 AND GALVANISED TO BS EN 1461.
- ALL FASTENERS TO LAP JOINTS TO BE M16x35 LG STEEL GRADE 8.8 GALVANISED SCREW (F07) UNLESS NOTED OTHERWISE.
- CONNECTIONS TO ANY APPROACH OR DEPARTURE END OF THIS TRANSITION MUST ONLY BE MADE WITH THE EXPRESS PERMISSION OF SAFEROAD UK.