

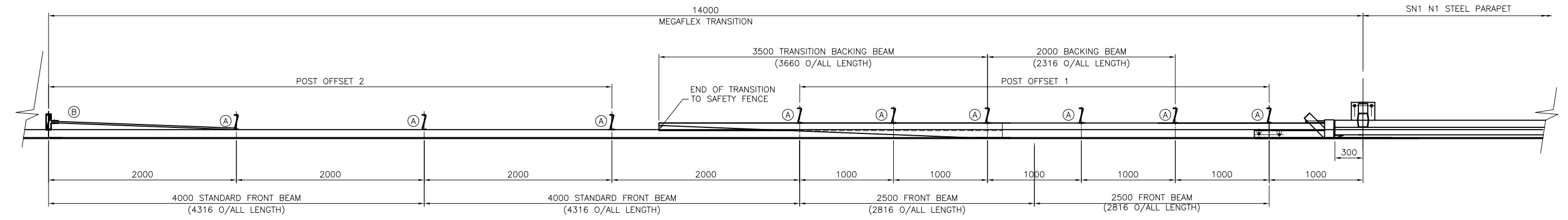
MACHINING NOTES
 MACHINE WHERE MARKED BY REMOVE SHARP EDGES TOLERANCES UNLESS STATED OTHERWISE DIMENSIONAL ± 0.010"(0.4mm)

FABRICATION NOTES
 TOLERANCES UNLESS STATED OTHERWISE ± 0.062"(1.6mm)

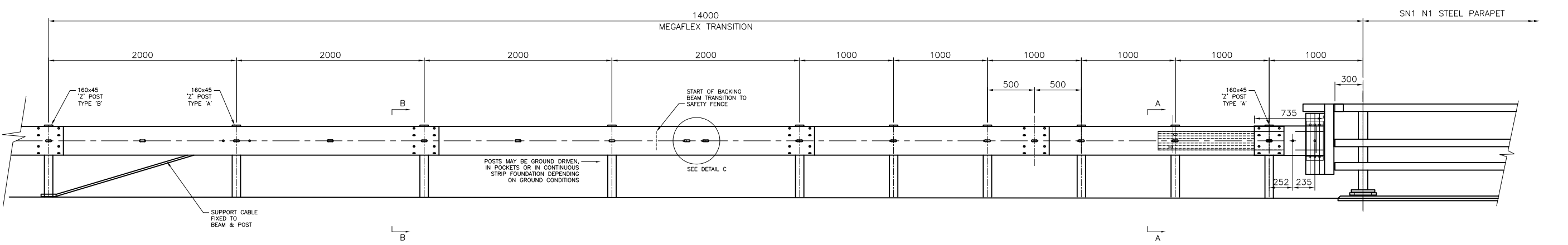
WELDING SPECIFICATION

IF IN DOUBT, ASK.

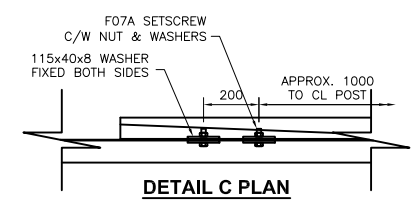
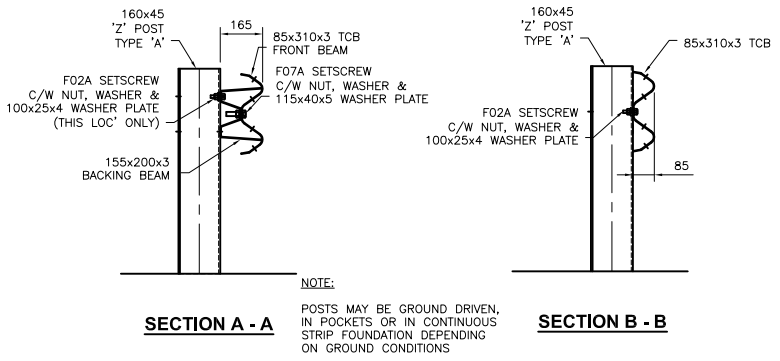
DRAWING NOT TO BE SCALED.



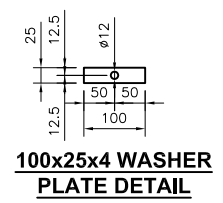
PLAN VIEW OF TRANSITION



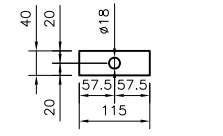
ELEVATION ON TRAFFIC FACE OF TRANSITION



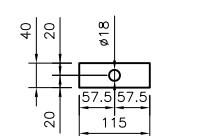
POST FACE OFFSETS FROM FACE OF BEAM		
OFFSET TYPE	OFFSET (mm)	
1	165	
2	85	



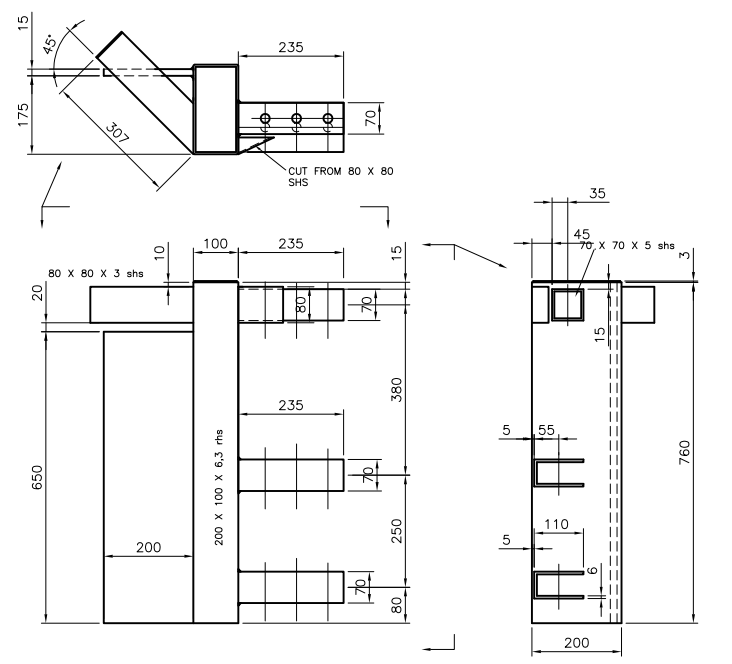
100x25x4 WASHER PLATE DETAIL



115x40x8 WASHER DETAIL



115x40x5 WASHER DETAIL



CONNECTION PLATE TYPICAL DETAIL

- GENERAL NOTES:**
- ALL DIMENSIONS IN MILLIMETRES UNLESS NOTED OTHERWISE.
 - FOR GENERAL ARRANGEMENT & DETAILS OF SN1 N1 STEEL PARAPET DRG. No SN1/GA-001 Rev. 00.
 - THE OVERALL LENGTH OF MEGAFLEX POSTS & SLOPE OF BEAM TO SUIT SITE GROUND GRADIENT.
 - MEGAFLEX POSTS TO BE DRIVEN OR SET IN SOCKETS, CAST INTO INDIVIDUAL FOUNDATIONS OR STRIP FOUNDATION.
 - STEEL COMPONENTS TO BS 10025, GRADE S275 AND GALVANISED TO BS EN 1461.
 - ALL FASTENERS TO LAP JOINTS TO BE TO M16x35 LG STEEL GRADE 8.8 GALVANISED SCREW (F07) UNLESS NOTED OTHERWISE.
 - CONNECTIONS TO ANY APPROACH OR DEPARTURE END OF THIS TRANSITION MUST ONLY BE MADE WITH THE EXPRESS PERMISSION OF SAFEROAD UK.

REV.	DATE	REMARKS	SIG.
01	27.02.13	Rebranded as MegaFlex & Rail Overhang dimension added	M.T

ORDER No:--	MATL:--	DRAWN:-- M. Teal	CHECKED:-- G.S	CHECKED QA:--
ISSUE DATE:--	PROJECTION:-- 	DATE:-- 30.08.11	SCALE:-- Not to Scale	APPROVED:--
		DRG NO:-- PA 17964		REV:-- 01