

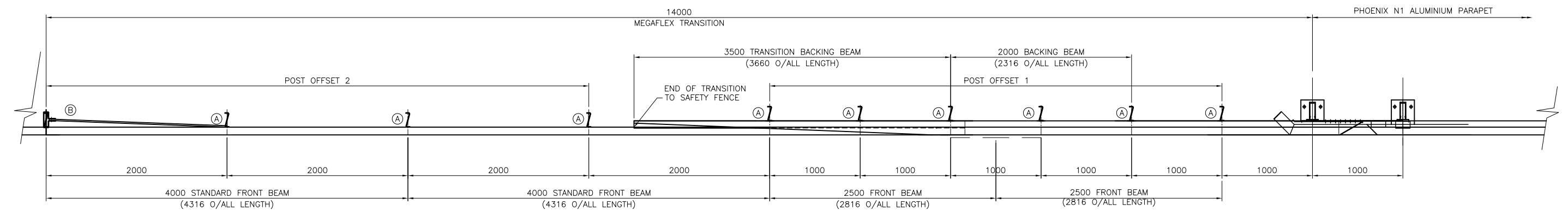
MACHINING NOTES
 MACHINE WHERE MARKED BY REMOVE SHARP EDGES TOLERANCES UNLESS STATED OTHERWISE DIMENSIONAL ± 0.015(0.4mm)

FABRICATION NOTES
 TOLERANCES UNLESS STATED OTHERWISE ± 0.062(1.6mm)

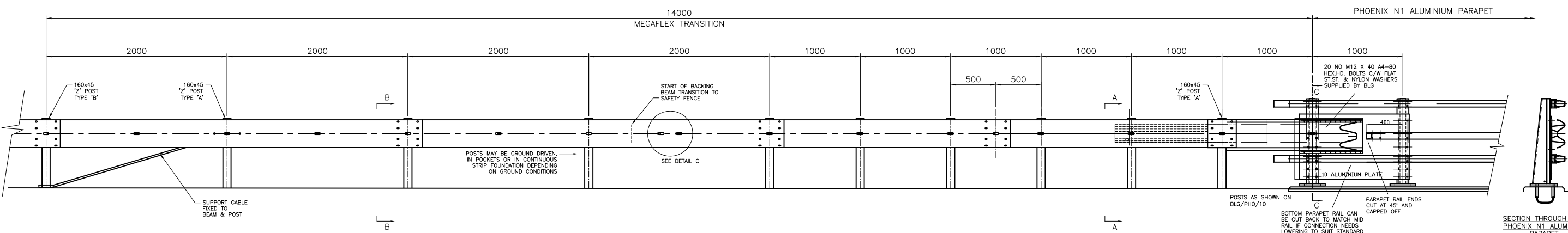
WELDING SPECIFICATION

IF IN DOUBT, ASK.

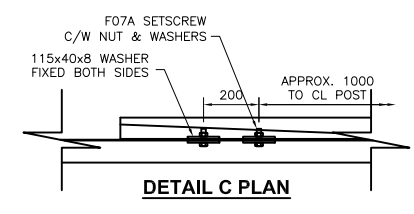
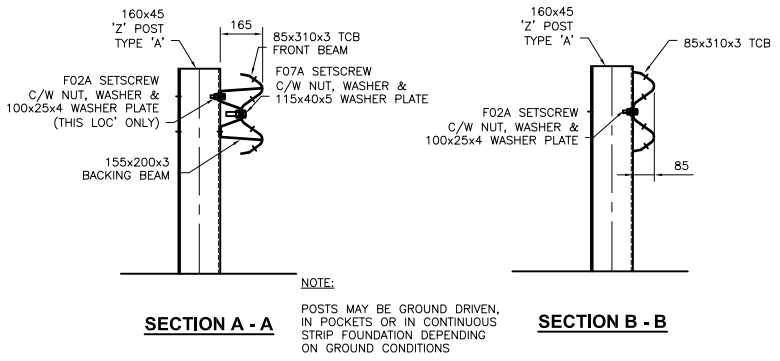
DRAWING NOT TO BE SCALED.



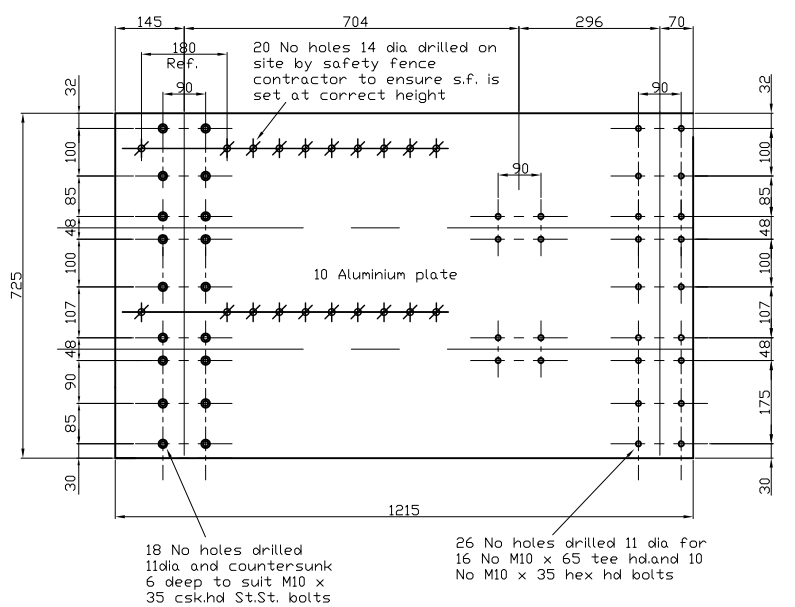
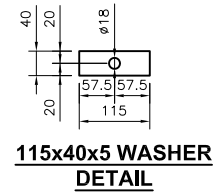
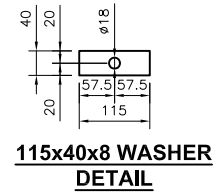
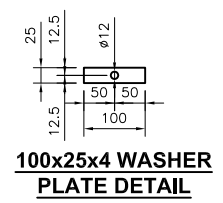
PLAN VIEW OF TRANSITION



ELEVATION ON TRAFFIC FACE OF TRANSITION



- GENERAL NOTES:**
- ALL DIMENSIONS IN MILLIMETRES UNLESS NOTED OTHERWISE.
 - FOR GENERAL ARRANGEMENT & DETAILS OF N1 PHOENIX ALUMINIUM PARAPET SEE DRG. No. BLG/PHO/101 Rev. 01.
 - THE OVERALL LENGTH OF MEGAFLEX POSTS & SLOPE OF BEAM TO SUIT SITE GROUND GRADIENT.
 - MEGAFLEX POSTS TO BE DRIVEN OR SET IN SOCKETS, CAST INTO INDIVIDUAL FOUNDATIONS OR STRIP FOUNDATION.
 - STEEL COMPONENTS TO BS 10025, GRADE S275 AND GALVANISED TO BS EN 1461.
 - ALL FASTENERS TO LAP JOINTS TO BE TO M16x35 LG STEEL GRADE 8.8 GALVANISED SCREW (F07) UNLESS NOTED OTHERWISE.
 - CONNECTIONS TO ANY APPROACH OR DEPARTURE END OF THIS TRANSITION MUST ONLY BE MADE WITH THE EXPRESS PERMISSION OF SAFEROAD UK.



POST FACE OFFSETS FROM FACE OF BEAM	
OFFSET TYPE	OFFSET (mm)
1	165
2	85



TITLE: Layout & General Details of MegaFlex Transition
 Phoenix N1 Aluminium Parapet to MegaFlex Transition
 Approach End

ORDER No:--	ISSUE DATE:--	MATL:--	PROJECTION:--	DRWN:-- M. Teal	CHECKED:-- G.S	CHECKED QA:--	APPROVED:--
REV. 01	DATE 27.02.13	REMARKS: Rebranded as MegaFlex		DATE: 25.08.11	SCALE: Not to Scale	DRG NO: PA 17953	REV: 01